

INSTALLATION INSTRUCTIONS

DESCRIPTION: Half Windshield

PART NUMBER: B4M-F83J0-T0

MODEL: 2021+ Wolverine X2, X4, RMax2 and RMax4



⚠ WARNING

Please read and understand these instructions completely before installation to avoid possible injury, or damage to the accessory or vehicle.

NOTICE:

Installation of this kit requires a torque wrench and should be performed by an authorized Yamaha dealer or a qualified mechanic.

WARRANTY INFORMATION:

In the United States, see your Yamaha dealer for a copy of the Yamaha Genuine Parts and Accessories Limited Warranty.

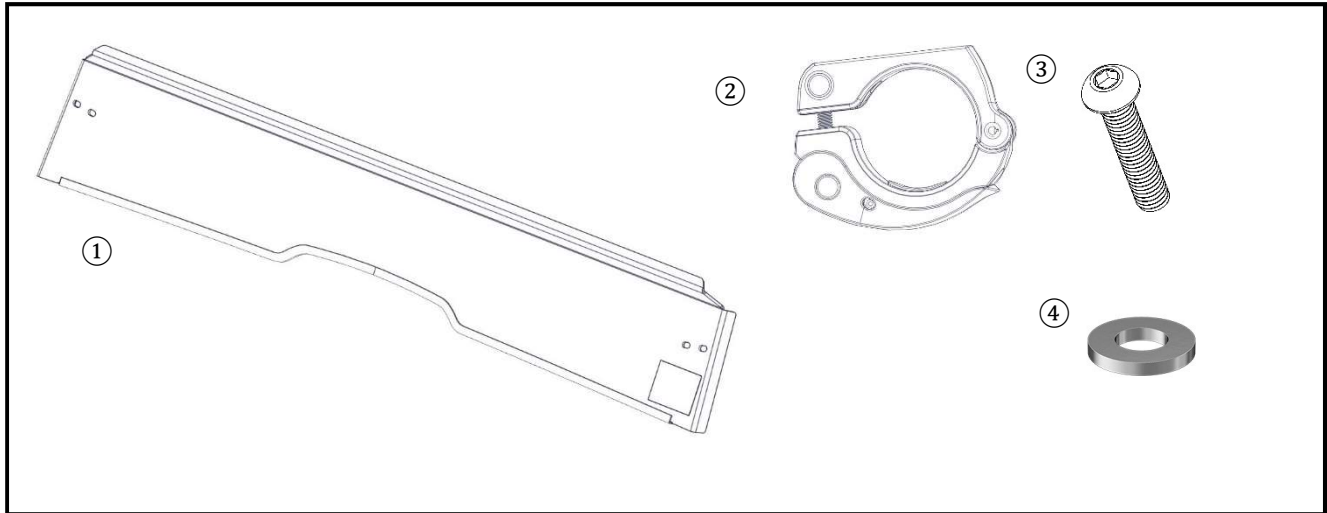
DEALER OR INSTALLER:

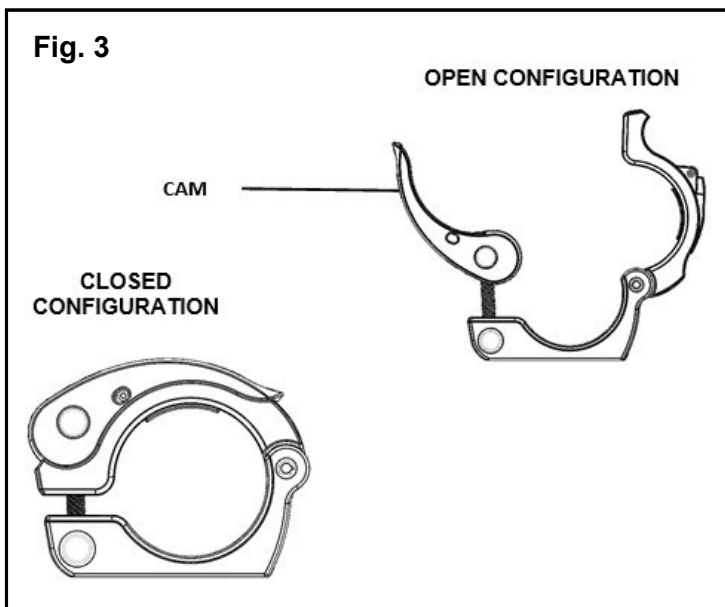
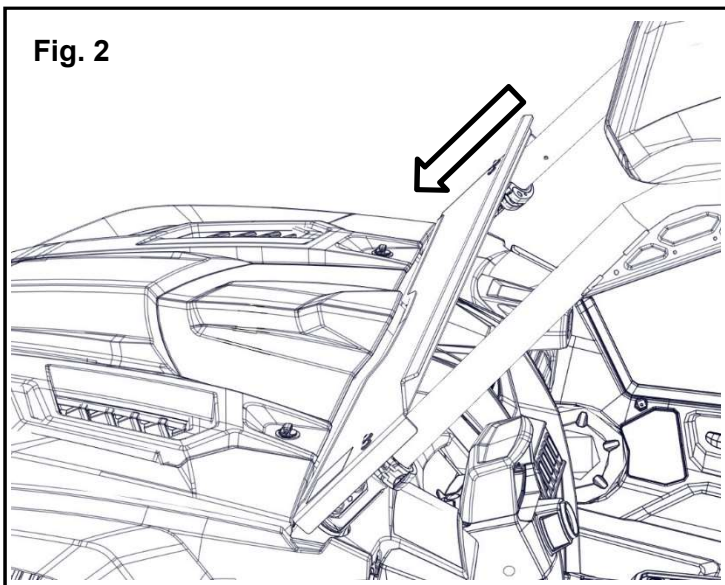
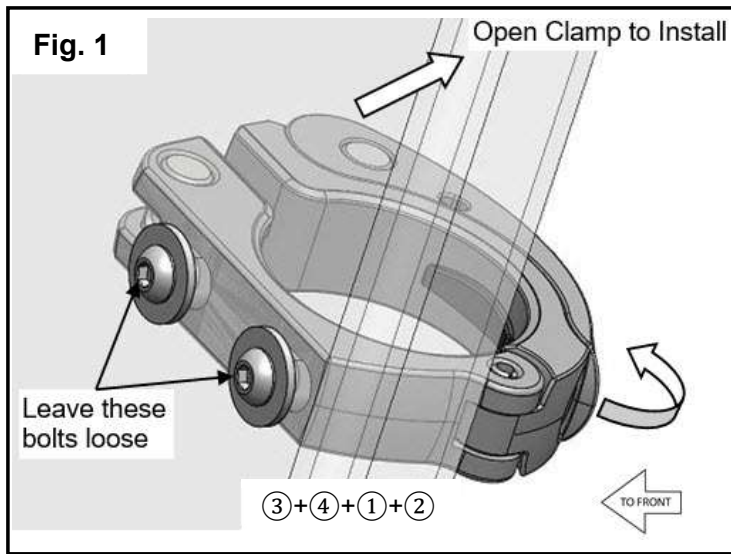
These instructions contain important information for future reference and *must* be given to the customer.

PARTS LIST:

No.	Part Number	Description	Qty
--	B4M-F83J0-T0	Half Windshield	--
①	--	Windscreen Assembly	1
②	BG4-F72C2-V0	Clamp	2
③	90111-06821	M6x16 Button Head Screw	4
④	90201-068G7	M6 Washer	4

* Part supplied with kit only and not available separately.





PREPARATION:

- Place the vehicle on a secure and level surface.
- Set the parking brake.
- Clean the mounting surfaces before beginning installation.

INSTALLATION:

1. Assemble two (2) Clamps to (1) Windshield Assembly. Leave the bolts loose enough to allow the clamps to move during installation. (Fig. 1)

Note: Open the clamps as shown in Fig. 3.

2. Install (1) Windshield to ROPS. Leave the (2) Clamps loose. Insert the (1) Windshield into the channel on hood. (Fig. 2)
3. When you are satisfied with the position of the (1) Windshield, close the (2) Clamps.
4. If a (2) Clamp is too tight or too loose, open and rotate the latch handle cam until the clamp has proper tension when secured. (Fig. 3)
5. Torque all (3) Button Head Screws to 6Nm (0.6 kg-m or 4.4 lb-ft).

Notice:

- Windshield may only be mounted in the forward position or removed for towing.
- This accessory is not intended to be used with Soft Side Covers, Rear Windows, or Enclosed Cab.
- Both sides of windshield can get dirty quickly in dusty or muddy conditions. When operating in such conditions, carry fresh water and towels to clean the windshield if vision becomes impaired. Driving with impaired vision can result in an accident.

MAINTENANCE:

Periodically, check torque and tightness on all hardware. If loose hardware is found, re-torque or re-tighten.

CARE AND CLEANING:

Use a clean soft cloth and mild detergent with warm water to clean the windscreen. Rinse and dry. Yamaha Windshield & Visor Plastic Cleaner & Conditioner (p/n ACC-PLASP-OL-11) is recommended to clean the windscreen. Cleaning with alkaline or acid cleaner, gasoline or solvent will damage the windshield.

CUSTOMER SERVICE:

For further information see your Yamaha dealer.

ESTIMATED TIME TO INSTALL: 0.3 HRS.